

# LIGHTS SYSTEM SOR 10,5(E3)

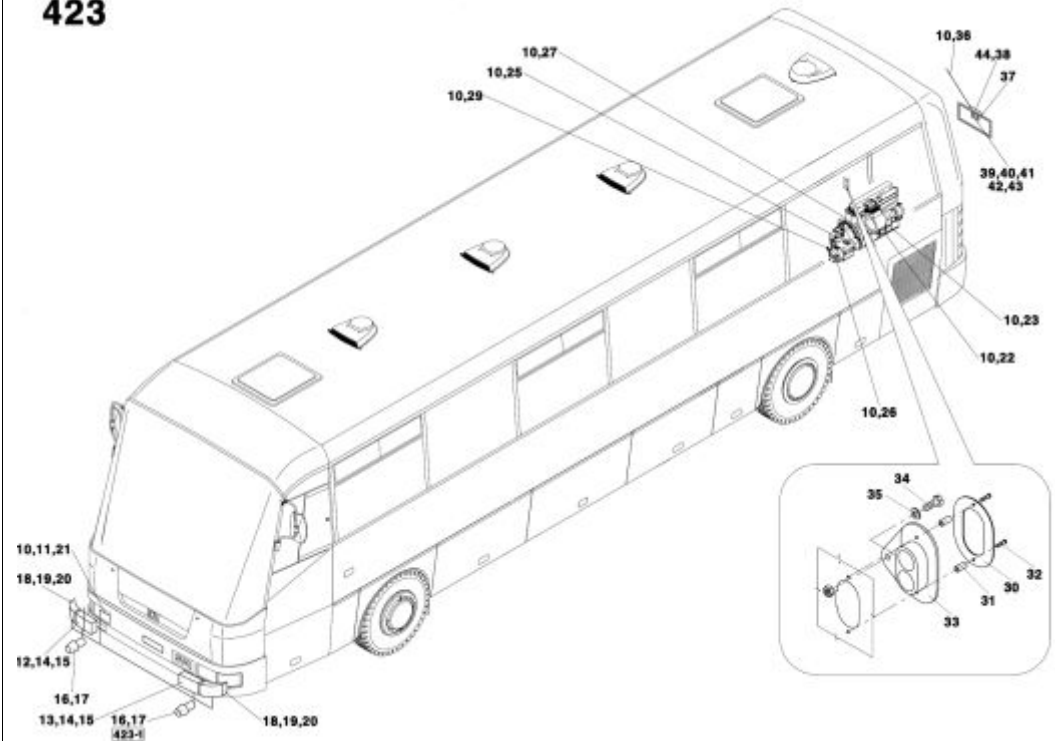
EXTERIOR  
EQUIPMENT

search  
in fulltext

ZBOZI - WARE - GOODS		PREDNI OSVETLENI	CODE : 0000002	date: 12.07.2011
			currency [CZK]	page: 1
ZBOZI - WARE - GOODS	QUANTITY	PRICE/UNIT	REMARK	
11   KABEL SVETLOMETU SOR(E3)	C12424002	(722-)   SO-423   1.000/ki t-----	0.00 EU oem.	
..... 55790424002		132763   0000.		
12a   SVETLOMET HLAVNI		(-762)   SO-423   1.000/pce---RH	0.00 EU oem.	
..... 1DL007872047	21442872047	H4   HELLA   83951   1101.		
12b   SVETLOMET SDRUZENY		(763-)   SO-423   1.000/pce---RH	0.00 EU oem.	
..... 1EJ247046041	99008311721	+DL   HELLA   132830   1101.		
13a   SVETLOMET HLAVNI		(-762)   SO-423   1.000/pce---LH	0.00 EU oem.	
..... 1DL007872037	21442872037	H4   HELLA   84959   1101.		
13b   SVETLOMET SDRUZENY		(763-)   SO-423   1.000/pce---LH	0.00 EU oem.	
..... 1EJ247046031	99008311711	+DL   HELLA   132828   1101.		
15   ZAROVKA-24V 70W(H1)		8GH002089251   909137002	KA-125   4.000/pce-----	0.00 EU oem.
..... 70W P14, 5S	347451433213	50307024   24V-H1	2391   1104.	
16a   SVETLOMET MLHOVY		(-404)   SO-423   2.000/pce---L/R	0.00 EU oem.	
..... 0305555001	BS 2144320021	BOSCH   13861   1004.		
16b   SVETLOMET MLHOVY		(405-)   SO-423   2.000/pce---L/R	0.00 EU oem.	
..... 1NL008090117	99008090027	HELLA   14889   1112.		
17   ZAROVKA-24V 70W(H3)		1987302431	SO-422   2.000/pce-----	0.00 EU oem.
..... 70W PK22S	24V-H3   BOSCH   136757   1101.			
18a   SVETLO SMEROVE		SOR(-404)   KA-125   2.000/pce---L/R	0.00 EU oem.	
..... 2BA004119001	99004119001	-OR-   HELLA   51868   1101.		
18b   SVETLO SMEROVE		(405-762)   SO-423   2.000/pce---L/R	0.00 EU oem.	
..... 2BA004119017	99004119017	-WH-   HELLA   51867   1101.		
22   KABEL MOTORU SOR(E3)	C10406301	(722-)   SO-423   1.000/ki t-----	0.00 EU oem.	
..... 55710406301		133107   0000.		
23   KABEL SPOUSTECE SOR(E3)	C12406002	(722-)   SO-423   1.000/ki t-----	0.00 EU oem.	
..... 55790406002		133124   0000.		
25   KABEL ELEKTRONIKY MOTORU SOR(E3)	C12406104	(722-)   SO-423   1.000/ki t-----	0.00 CZ oem.	
..... 55790406104		133126   0000.		
27   KOSTRENI MOTORU SOR(E3)	C12406006	(722-)   SO-423   1.000/ki t-----	0.00 CZ oem.	
..... 55790406006		139118   0000.		
33   DVOJTLACI TKO START-STOP SOR(E3)	9927014	SO-423   1.000/pce-----	0.00 EU oem.	
..... 09927401	AK27401	36906   0511.		
37   DRZAK OSVETLNI SPZ SOR(E3)	AC1423002	SO-423   1.000/pce-----	0.00 CZ oem.	
..... 55701423002		11277   0000.		
38   OSVETLENI SPZ(9446.31)		SO. ZE, AV, TA   KA-125   1.000/pce-----	0.00 EU oes.	
..... 443312414109	E4433124002	316924041   212/54   9375   1104.		

## CATALOGUE GROUP 423

423

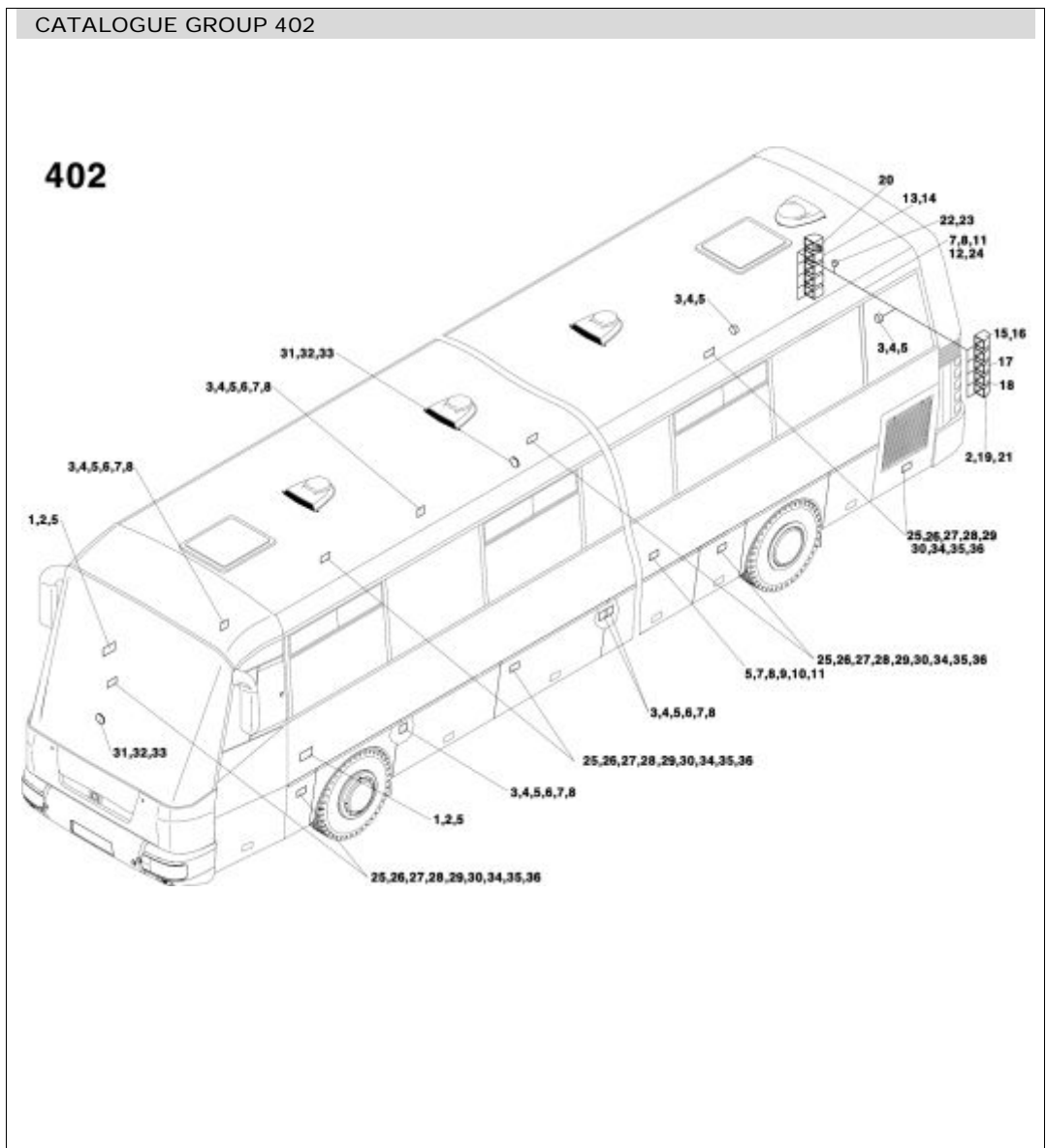


search  
in fulltext

ZBOZI - WARE - GOODS	ZADNI OSVETLENI	CODE : 0000004	date: 12.07.2011
		currency [CZK]	page: 1
QUANTITY	PRICE/UNIT	REMARK	

01	SVETLO SMEROVE 2BM008355001	SO-402	2.000/pce---	L/R	0.00 EU	oem.	
5001021044	99008355007	17235	1012.				
03	SVETLO STROPNI (9343.29)	LI, AV, SO	443313104102	KA-125	7.000/pce-----	0.00 CZ	oem.
E44331310111	WH E5001841670	360923000 D60/24V	17937	0812.			
09	TERMOSTAT PROSTOROVY REGO 405611900802-2144320006	KA-126	1.000/pce-----		0.00 CZ	oem.	
E4056111000	E5001841452	316796090 947.51					
14a	SVETLO KONCOVE	SOR(2H)	2.000/pce---	L/R	0.00 EU	oem.	
2SA005603021	5001839176	140507	1112.				
14b	SVETLO KONCOVE(REFLEXNI)	SOR(2H)	2.000/pce---	L/R	0.00 EU	oem.	
2SA008805001	99008805007	146851	1112.				
16a	SVETLO SMEROVE	S-K(1H)	2.000/pce---	L/R	0.00 EU	oem.	
2BA005603011	5001839163	140506	1112.				
16b	SVETLO SMEROVE(REFLEXNI)	SO(1H)	2.000/pce---	L/R	0.00 EU	oem.	
2BA005805051	7 99008805057	51874	1112.				
17a	SVETLO BRZDOVE	SOR(3H)	2.000/pce---	L/R	0.00 EU	oem.	
2DA005603031	7 E4433126004	140509	1112.				
17b	SVETLO BRZDOVE(REFLEXNI)	SO(3H)	2.000/pce---	L/R	0.00 EU	oem.	
2DA008805011	7 99008805011	146739	1107.				
18a	SVETLO ZPETNE	SOR(4H)	2.000/pce---	L/R	0.00 EU	oem.	
2ZR005603061	5001839177	146740	1112.				
18b	SVETLO ZPETNE(REFLEXNI)	SO(4H)	2.000/pce---	L/R	0.00 EU	oem.	
2ZR008805041	99008805047	140508	1112.				
19b	SVETLO MLHOVE	SOR(5H)	2.000/pce---	L/R	0.00 EU	oem.	
2NE005603071	5001839180	140510	1112.				
19b	SVETLO MLHOVE(REFLEXNI)	SOR(5H)	2.000/pce---	L/R	0.00 EU	oem.	
2NE008805031	99008805037	51873	1112.				
20	SPI NAC DVERNI SOR	SO-acs	2.000/pce-----		0.00 CZ	oem.	
443854242802		47877	0912.				
25	SVETLO OBRYSOVE	SOR(018-)	SO-402	8.000/pce-----	0.00 EU	oem.	
2PS964295051	75342040000	47393	1012.				
31	SVETLO STUPACKOVE(9340.86)	TR, SO	KA-862	2.000/pce-----	0.00 CZ	oem.	
E4433131005	5801093620	302923071 D80 WH	186	1107.			

### CATALOGUE GROUP 402



# LIGHTS SYSTEM SOR 10,5(E3)

EXTERIOR  
EQUIPMENT

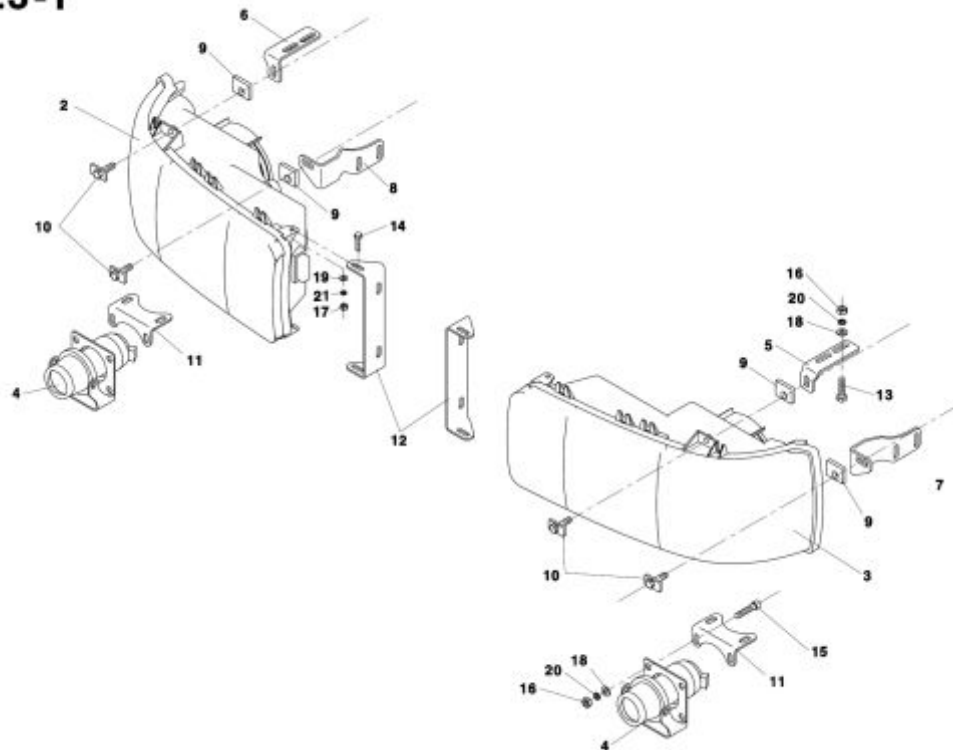
search  
in fulltext

PREDNI OSVETLENI		CODE : 0000003	date: 12.07.2011
		currency [CZK]	page: 1
ZBOZI - WARE - GOODS	QUANTITY	PRICE/UNIT	REMARK

02	SVETLOMET SDRUZENY 1EJ247046041	99008311721	+DL	HELLA		(763-)	SO-423	1.000/pce	---RH	0.00 EU oem.
03	SVETLOMET SDRUZENY 1EJ247046031	99008311711	+DL	HELLA		(763-)	SO-423	1.000/pce	---LH	0.00 EU oem.
04	SVETLOMET MLHOVY 1NL008090117	99008090027		HELLA		(405-)	SO-423	2.000/pce	---L/R	0.00 EU oem.
05	DRZAK HORNI SOR(E3) 55790424003	3C12424003				14889	1112.	1.000/pce	---LH	0.00 CZ oem.
06	DRZAK HORNI SOR(E3) 55790424004	3C12424004				146833	0000.	1.000/pce	---RH	0.00 CZ oem.
07	DRZAK DOLNI SOR(E3) 55790424005	3C12424005				82986	0000.	1.000/pce	---LH	0.00 CZ oem.
08	DRZAK DOLNI SOR(E3) 55790424006	3C12424006				33926	0000.	1.000/pce	---RH	0.00 CZ oem.
09	PODLOZKA SOR(E3) 55790424007	4C12424007				34573	0000.	4.000/pce	----	0.00 CZ oem.
10	SROUB SVETLOMETU SOR(E3) 55790424008	4C12424008				33928	0000.	4.000/pce	----	0.00 CZ oem.
11	DRZAK SVETLOMETU MLHOVEHO SOR(E3) 55790424009	3C12424009				40040	0000.	2.000/pce	----	0.00 CZ oem.
12	TRMEN SVETLOMETU SOR(E3) 55790424010	3C12424010				44500	0000.	2.000/pce	---L/R	0.00 CZ oem.
						82987	0000.			

## CATALOGUE GROUP 423-1

### 423-1



# LIGHTS SYSTEM SOR 10,5(E3)

EXTERIOR  
EQUIPMENT

search  
in fulltext

OSVETLENI STRECHY		CODE : 0000001	date: 12.07.2011
		currency [CZK]	page: 1
ZBOZI - WARE - GOODS		QUANTITY	PRICE/UNIT  REMARK
01	KABEL STRECHY (C10)	C10404121	SO-404  1.000/ki t----- 0.00 CZ oem.
05	KABEL TLACI TKA (C10)	C10404005	SO-404  3.000/ki t----- 0.00 EU oem.
06	KABEL SVETEL (C10)	AC9404006	SO-404  7.000/ki t----- 0.00 CZ oem.
07	KABEL VENTI LATORU (C10)	AC9404008	SO-404  2.000/ki t----- 0.00 CZ oem.
08	KABEL VENTI LATORU (C10)	C10404008	SO-404  1.000/ki t----- 0.00 CZ oem.
09	SVETLO ZARI VKOVE 5801108340-9916180100	5801108340-9916180100	KA-125  11.000/pce----- 0.00 CZ oem.
10	ZARI VKA PL-(PHI LI PS)	18W L840  MEGALUX	63934 1012.  SO-404  11.000/pce----- 0.00 EU oem.
11	ZAROVKA-24V 5W SUFI T11/41	8GM002092241)	KA-125  44.000/pce----- 0.00 EU oem.
14	SVETLO OBRYSOVE-RAMENO	24V  HELLA	2387 1012.  SO-404  1.000/pce---LH 0.00 EU oem.
15	SVETLO OBRYSOVE-RAMENO	35201000)	62097 0904.  SO-404  1.000/pce---RH 0.00 EU oem.
16	ZAROVKA-24V 4W	18W L840  HELLA	2393 1012.  KA-125  4.000/pce----- 0.00 EU oem.
18	SVETLO OBRYSOVE (LED)	LED WH  HELLA	14903 0912.  SO-404  2.000/pce---L/R 0.00 EU oem.
19	SVETLO OBRYSOVE (LED)	LED WH  HELLA	(405-) 38359 1012.  SO-404  2.000/pce---L/R 0.00 EU oem.
23	REPRODUKTOR ART (24003)	40HM	106629 0000.  SO-404  7.000/pce----- 0.00 CZ oem.
24	MRI Z (36030)	36030	117080 0000.  SO-404  7.000/pce----- 0.00 CZ oem.
25	RAM (36840)	36840	117081 0000.  SO-404  7.000/pce----- 0.00 CZ oem.
27	TLACI TKO VELKOPLOSNE-CERVENE	943081) 4438530250	8340 1004.  KA-858  4.000/pce----- 0.00 CZ oem.
28	HODI NY DI GI TALNI SOR (E3)	OE2001K	6014 0509.  SO-404  1.000/pce----- 0.00 EU oem.
29	ANTENA SOR (E3)	MA324	25565 0509.  SO-404  1.000/pce----- 0.00 CZ oem.
30	TESNENI SVETLA OBRYSOVEHO	AC1404011	63851 0511.  SO-404  2.000/pce----- 0.00 CZ oem.
31	SVETLO OBRYSOVE	RE-  HELLA	(-404) 21474 0912.  SO-404  2.000/pce----- 0.00 EU oem.
31a	PROFIL PRYZ-1855	1855 L300	11641 0000.  SO-404  2.000/pce----- 0.00 CZ oem.
32	KABEL DVERI SOR (C10)	C10404015	119149 0000.  SO-404  1.000/ki t----- 0.00 CZ oem.
33	KABEL DVERI SOR (C10)	C10404016	120225 0000.  SO-404  1.000/ki t----- 0.00 CZ oem.
34	KABEL DVERI SOR (C10)	C10404017	132762 0000.  SO-404  1.000/ki t----- 0.00 CZ oem.
35	SVETLO BRZDOVE (LED)	LED RE  HELLA	(405-) 14897 1112.  SO-404  1.000/pce----- 0.00 EU oem.

## CATALOGUE GROUP 404

404

